

Cleaning

To maintain the surface finish of your product, wipe clean regularly, using a clean damp cloth and dry cloth to polish. Do not use abrasive cleaning agents or materials on the product surface as you may invalidate your guarantee. Should any harsh chemicals come into contact with the surface of the product during bathroom cleaning, rinse off immediately, wipe clean and dry.

For more information
 • visit betterbathrooms.com
 • email customer.service@betterbathrooms.co.uk
 • call 0330 390 3042
 • write to: Trinity Business Park, Hopton Way, Huddersfield, HD2 2JA



USER MANUAL

Thank you for choosing Better Bathrooms. Please read this manual before installing your product and keep for future reference.



Product Name: Wall Mounted Bath Filler
Product Code: ARCHWMWBP/ARBMWMBP/ARBBWMWBP/COMOCHZH/COMOMBZH



- Single person assembly
- Tools required
- We always recommend using professional tradespeople to install your product

V3 15.07.25

Congratulations on your purchase

And welcome to our growing gang of savvy shoppers. We're on a mission to bring you extraordinary bathroom products, for less. From modern to traditional style ceramics, plus the gorgeous fixtures, fittings and furniture to match. So, you can fall in love with your space every single day.

As one of the UK's largest independent bathroom stores, we've received countless awards, including the National Business Awards UK, the Digital Entrepreneur Awards and being placed on The Sunday Times Fast Track 100.

We hope your new product goes above and beyond your expectations. However, should any problems occur please:

- log in to your account and contact our customer services team via yourself@betterbathrooms.com or betterbathrooms.com/ContactUs
- contact us via betterbathrooms.com/contact-us

Important information

- Please read these instructions thoroughly and retain for future reference
- Pressures should meet minimum stated on the website
- Pressures must be balanced for optimum performance
- Always check for pipes and cables before drilling
- System must be flushed through prior to installation

FLOW RATE

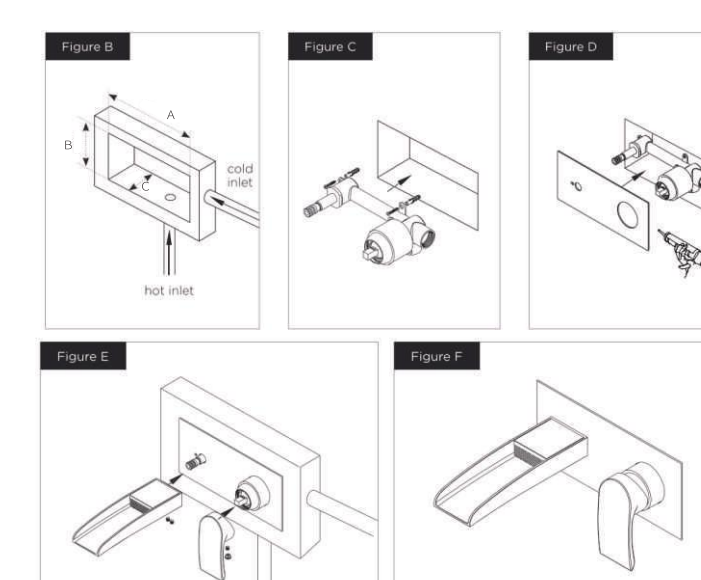
Mix/Bar	0.5 bar	1bar	2bar	3bar
ARCHWMWBP/ARBMWMBP/ARBBWMWBP	8.5L	13.5L	18.2L	22.3L
COMOCHZH/COMOMBZH	7.4L	10.5L	14.2L	17.5L

Installation should be as follows:

Please note: Before starting the installation of a new mixer, turn off watersupply

Please note: H.O.T supply to the bottom inlet.

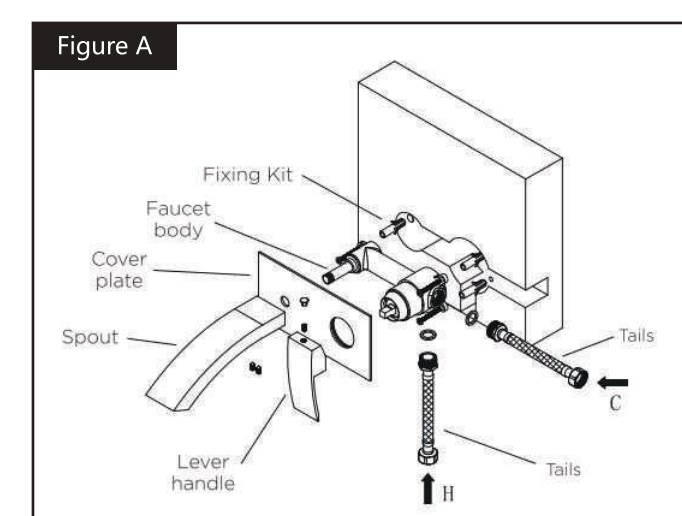
1. Determine the fixing position and prepare recess for the faucet body. Make the recess dimensions A, B and C in the wall according to the dimension of the faucet body. The faucet body should be fitted below the finished surface to allow the cover plate to fit correctly and flush against the wall. Figure B
2. Position the faucet body in place and mark through the pre-drilled screw holes on the body, then drill the marked points before inserting wall plugs into the wall holes Figure C
3. Connect the pipe supplies as shown in Figure B, then check for leaks before fitting plate, once checked turn off water supply
4. Apply silicone to the back of the cover plate as shown in Figure D and leave to dry for 24 hours
5. Fit handle and spout using the screws provided, Figure E
6. installation is complete, turn on water supply, Figure F



Tools required

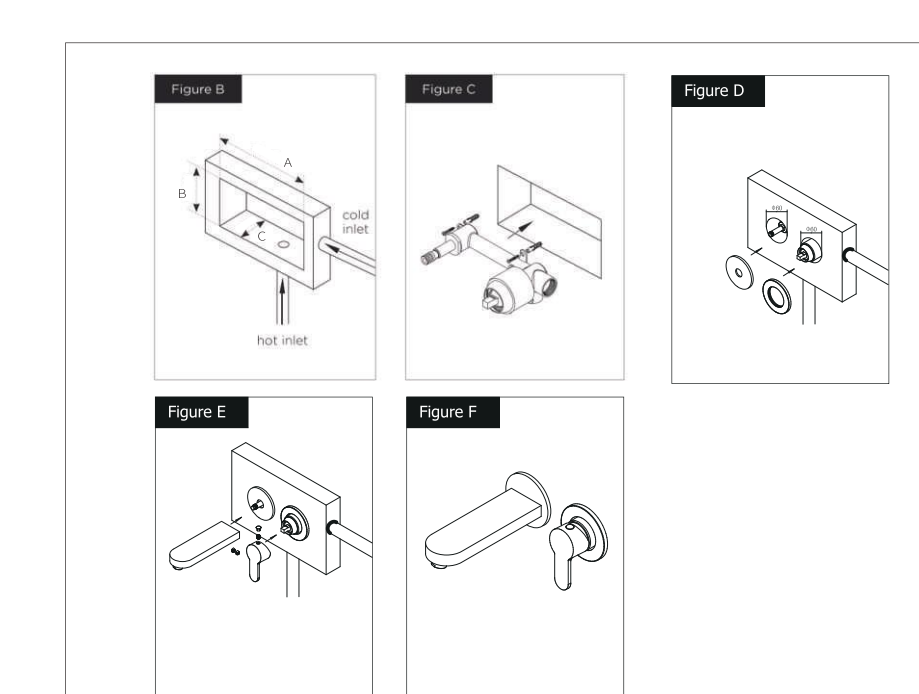
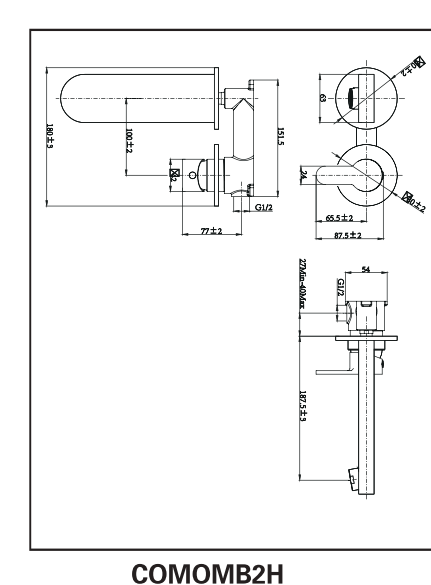
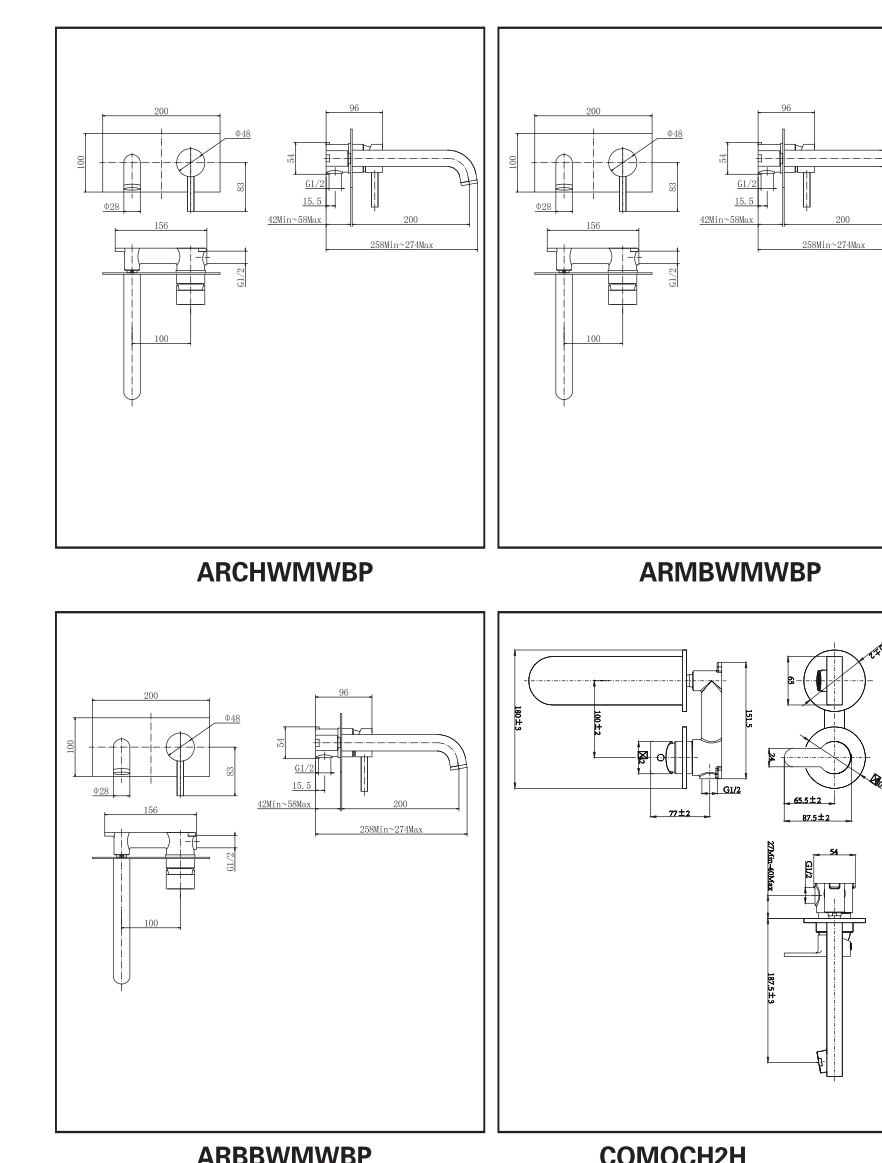
Spanner, Hammer, Screw Driver, PTFE etc
 Screws and plugs supplied are for masonry only, for any other structure a suitable plug and screw must be used

Parts / Diagrams



Contents

Dimension Drawings



Please note: Before starting the installation of a new mixer, turn off watersupply

Please note: H.O.T supply to the bottom inlet.

1. Determine the fixing position and prepare the recess for the faucet. Make the recess in the wall according to the dimension of the faucet body. The faucet should be fitted below the finished surface to allow the cover plates to fit flush with the wall
2. Position the faucet in place and mark through the screw holes in the body, then drill the holes and insert wall plugs
3. Connect the water supply pipes and check for leaks before finishing install
4. Tile up as required before fitting cover plates
5. Apply silicone to the back of the cover plates and push these onto the mixer
6. Fit handle and spout using an allen key to tighten the grub screws, ensure the spout is fully attached to the mixer
7. Turn on the water supply and check for leaks